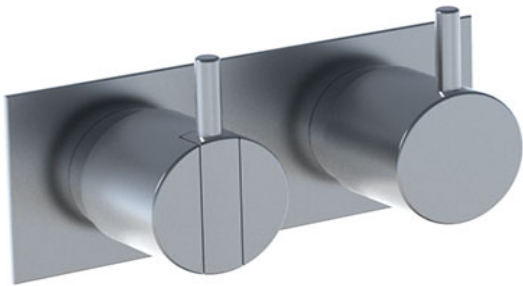


Date:

Client:

Project:

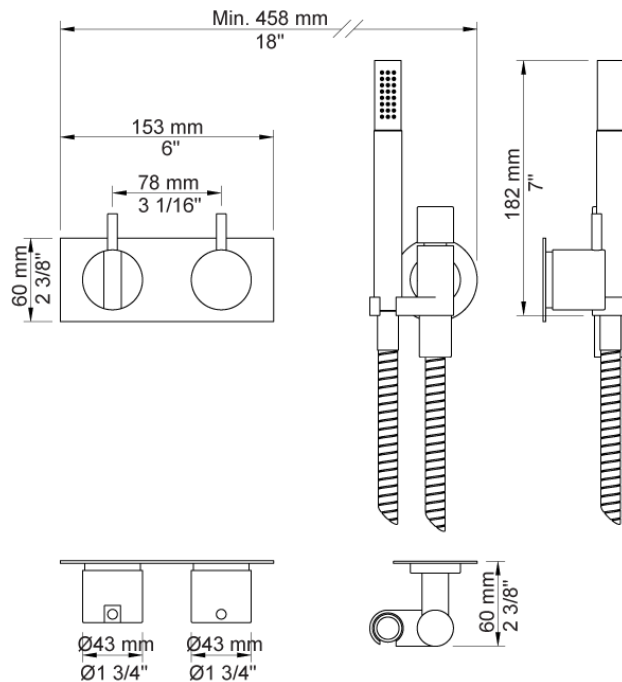


**2402-071**

One-handle build-in mixer with ceramic disc technology and diverter. 2402-071UP = Build-in mixer 2400V, 200M. 2402-071AP = Handle NR21, handle NR24G, hand shower and hand shower holder with non-return valve 070, hose 1500 mm, two-hole plate 60 x 153 mm VR1040, 60 mm circular flange 001.

**Flow**

	Bar:	1.0	2.0	3.0	4.0	5.0
2400V	(l/min)	12.7	18.0	22.0	25.4	28.4
070	(l/min)	5.2	7.4	9.0	9.0	9.0

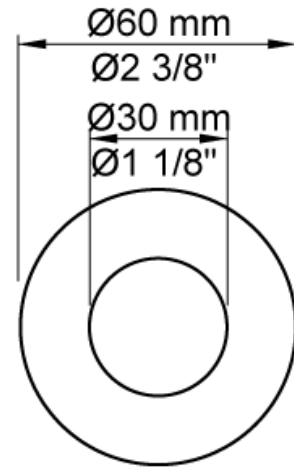


**Available in colors**

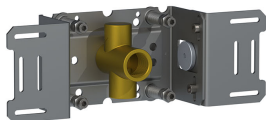
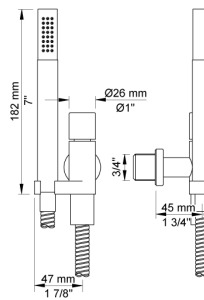
Color 02, Grey	Color 17, Gloss black
Color 04, Light blue	Color 18, White
Color 05, Orange	Color 19, Natural brass
Color 06, Light green	Color 20, Brushed chrome
Color 08, Yellow	Color 21, Carmine red
Color 09, Dark grey	Color 25, Pink
Color 12, Mocca	Color 27, Matt black
Color 14, Bright red	Color 28, Matt white
Color 15, Dark blue	Color 40, Brushed stainless steel
Color 16, Polished chrome	



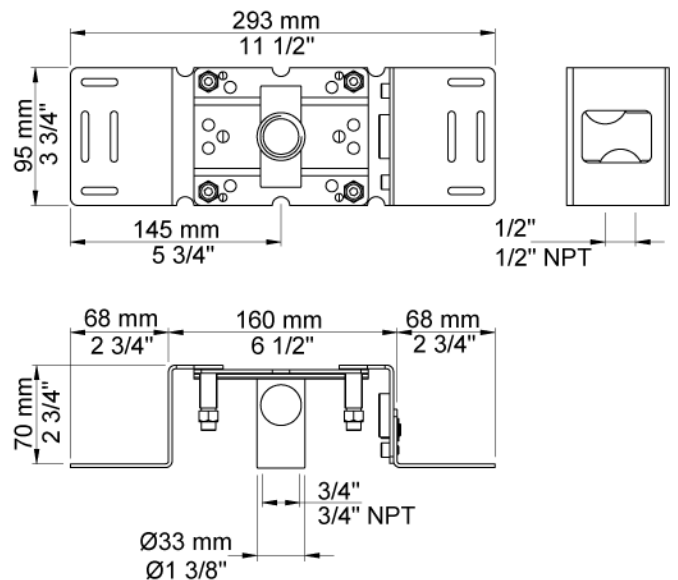
**001**  
60 mm circular flange. Hole Ø30 mm.

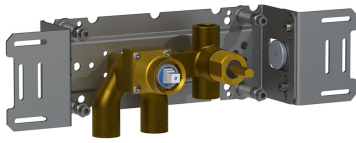


**070**  
Hand shower, hand shower holder and hose with non-return valve.



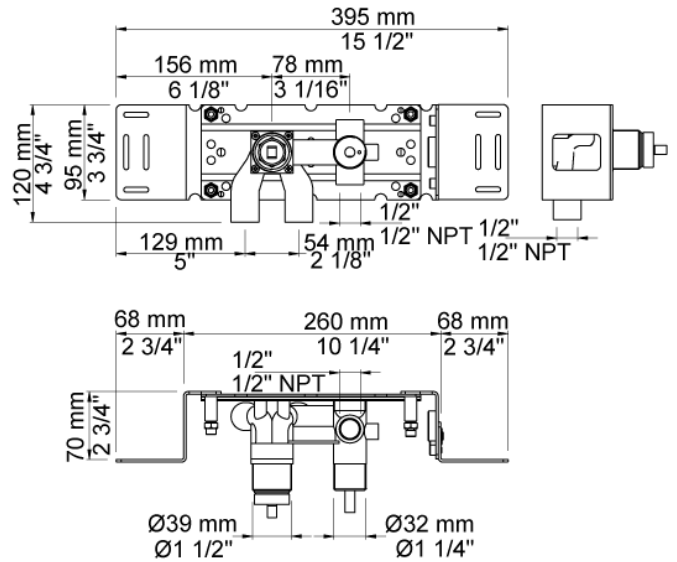
**200M**  
Separate outlet socket. 1/2" connection to copper, steel, iron or pex pipe work.





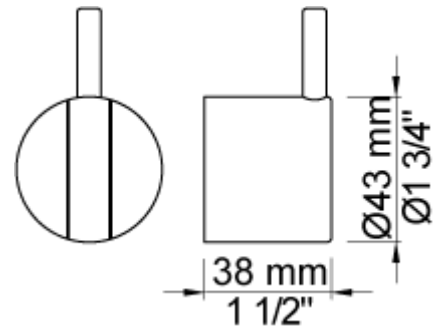
**2400V**

One-handle build-in mixer for high flow, with diverter. 1/2" connection to copper, steel, iron or pex pipe work.



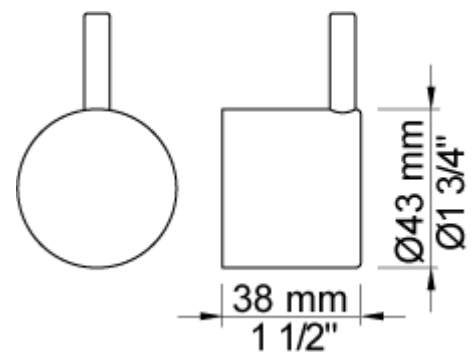
**NR21**

Operating handle for 2100, 2200, 2300, 2400 incl. variants. Ø43 mm.



**NR24G**

Diverter handle for 2400 incl. variants. Ø43 mm. With peg in the same colour as handle (Standard).



**VR1040**

Two-hole plate, 60 x 153 mm. Holes  $\varnothing 39$  and  $\varnothing 33$  mm.

